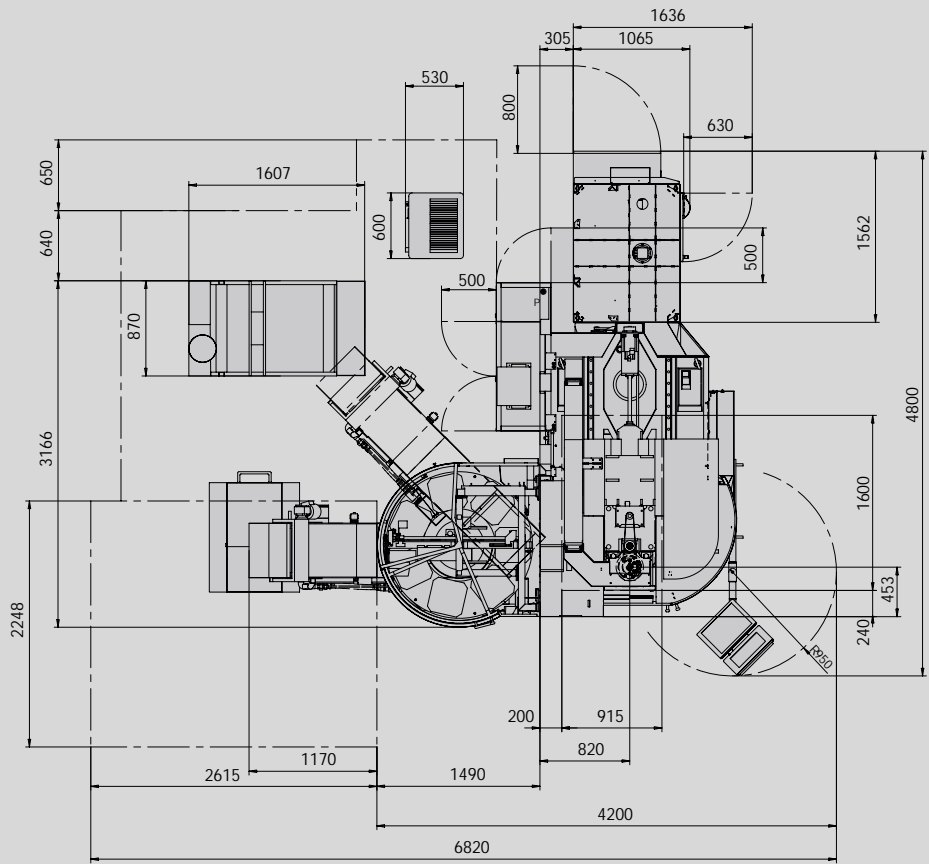
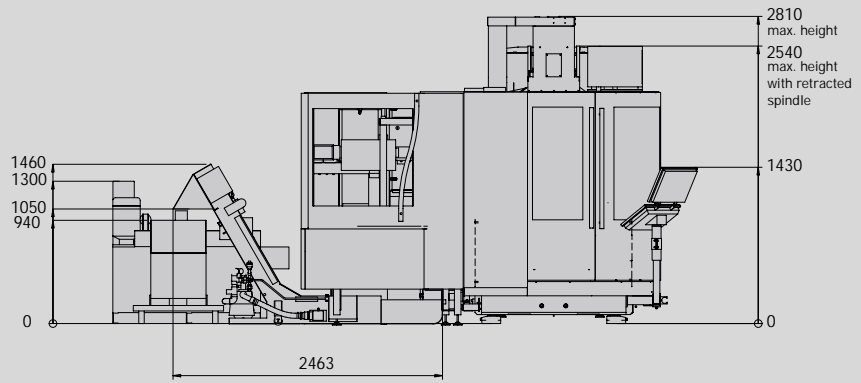


Technical data

MIKRON UCP 600 Vario

| MIKRON UCP 600 Vario | | |
|---|------------|--|
| Working Range | | |
| Logitudinal, X | mm | 600 |
| Transverse, Y | mm | 450 |
| Vertical, Z | mm | 450 |
| Rotary Tilting Table | | |
| Tilt, B | ° | -115 / +30 |
| Rotary, C | ° | n x 360 |
| Feed / Rapid speed (B) | rpm | 10 / 25 |
| Feed / Rapid speed (C) | rpm | 20 / 33 |
| Table size | mm | Ø 450, with starshaped or parallel arrangement fo the T-slots |
| Pallet versions | mm | System 3R Dynafix 280 x 280 Erowa UPC 320 x 320 System 3R GPS 240 x 240 (others on request) |
| Max. weight on table | kg | 200 (manual), 90 (automatic) |
| Pallet Magazine | pce. | 7 (Dynafix, UPC), 10 (GPS) |
| Torque-Rotary Tilting Table (Torque RTT) | | |
| Tilt, B | ° | + 45 / -101 |
| Rotary, A | ° | n x 360 |
| Rapid speed (B) | rpm | 80 |
| Rapid speed (A) | rpm | 200 |
| Pallet version | | System 3R MacroMagnum 156 |
| Max. weight on table | kg | 80 (manual and automatic) |
| Pallet Magazine | pce. | 16 |
| Feed Drives | | |
| Feed / Rapid speed (X, Y, Z) | m/min | 15 / 22 |
| Spindle (40% ED, S6) | | |
| 12'000 rpm, ISO 40 | kW / Nm | 13 / 100 |
| 20'000 rpm, HSK-A63 | kW / Nm | 30 / 91 |
| 42'000 rpm, HSK-E40 | kW / Nm | 13 / 4.2 |
| Tool Changer | | |
| Internal Tool Changer | pce. | 30 (ISO 40, HSK-A63) or 36 (HSK-E40) |
| External Tool Changer | pce. | 75, 120, 170 or 220 (HSK-A63) |
| Control | Heidenhain | iTNC 530 |
| Machine Weight | kg | 7'700 |
| smart machine Module | | www.gfac.com |



MIKRON
UCP 600 Vario

Our constructions are continuously adapted to meet the current requirements. Alterations can be made at any time. The information in this print is non-binding.

Mikron Agie Charmilles AG
Ipsachstrasse 16 Tel. +41 (0)32 366 11 11
CH-2560 Nidau Fax +41 (0)32 366 11 66
www.gfac.com info@mikron-ac.com

Achieve more...