



*Optimal Solutions for the Future*

# **DNM series**

## **DNM 400 / 500 / 650**

High Productivity Vertical Machining Center



# **DNM series**

## **DNM 400 / 500 / 650**



# New series of vertical machining center

## High quality and efficiency derived from high productivity analysis

DNM series are compact and durable machines created with the combination of optimized function and increased rigidity to satisfy the quality goal of global class and cost-saving. The high productivity analysis is the major principle of the DNM series which have been designed with the user's needs in mind.

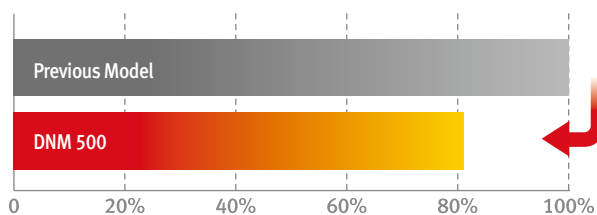


# High productivity

Basic concept structure and operation ensure its capability to get the best results of productivity regardless of any conditions and complexities

DNM 400 / 500 / 650

## Comparison of Non Cutting Time



**19% ▼**  
Reduced by

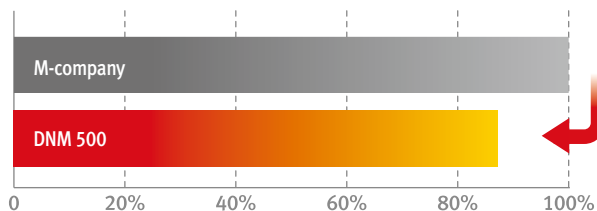


Material : Aluminum (Al6061-T6)

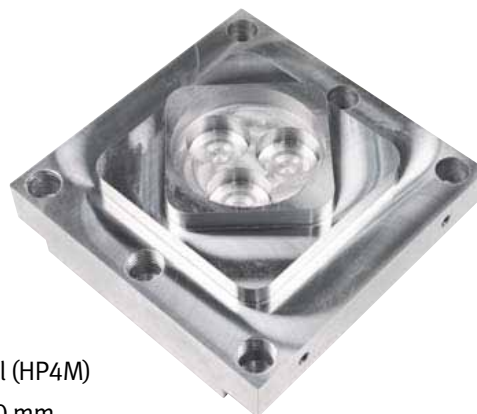
Size : 155×155×50 mm  
(6.1×6.1×2 inch)

No. of tools used : 14 tools

## Comparison of Cutting Time



**16% ▼**  
Reduced by



Material : Mold steel (HP4M)

Size : 270×270×100 mm  
(10.6×10.6×3.9 inch)

No. of tools used : 5 tools

※ The results indicated in this catalog may not be obtained due to differences in cutting conditions.



## Auto Tool Changer

Faster tool change time using cam increases productivity than previous model.



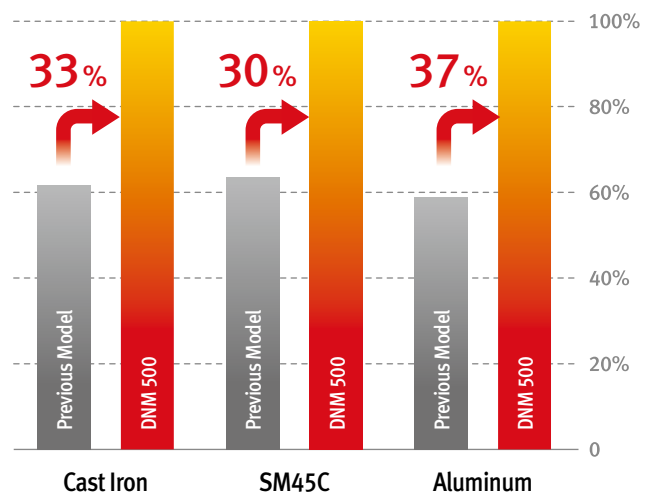
### Tool change time (T-T)

Previous Model **1.5 s** ▶ **1.3 s** DNM series

### Tool storage capacity

**30 tools**  
**40 tools** opt.

## Maximum Chip Removal



## Rapid Traverse

Linear motion guide ways and high speed servomotors apply high rapid axis movement. This reduces non-cutting time and machining time for greater productivity.

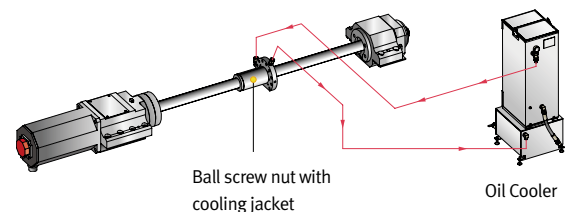


### Rapid traverse

	DNM 400 / 500 / 650	DNM 400HS / 500HS / 650HS
X-axis m/min (ipm)	<b>36</b> (1417.3)	<b>48</b> (1889.8)
Y-axis m/min (ipm)	<b>36</b> (1417.3)	<b>48</b> (1889.8)
Z-axis m/min (ipm)	<b>30</b> (1181.1)	<b>48</b> (1889.8)

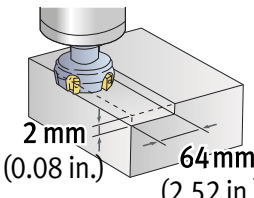
## Minimum thermal transformation for high accuracy std. only DNM HS series

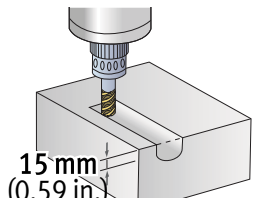
Machine units are designed minimum thermal transformation by ball screw nut with cooling jacket.

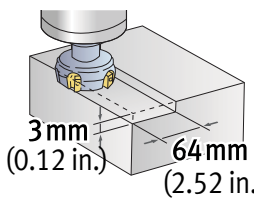


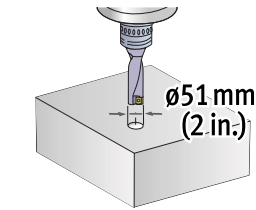
# Machining Capacity

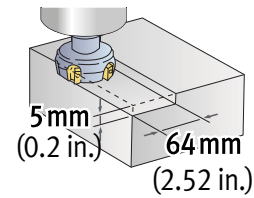
Provides high-productivity and high-accuracy in a variety of machining operations

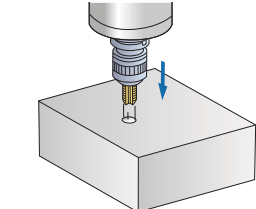
<b>Face mill</b>	Carbon steel (SM45C)
• $\varnothing 80$ mm (3.15 in.) Face mill (6Z)	Machining rate <b>432 cm<sup>3</sup>/min (26.4 in<sup>3</sup>/min)</b>
	Spindle speed <b>1500 r/min</b>
	Feedrate <b>2700 mm/min (106.3 ipm)</b>

<b>End mill</b>	Carbon steel (SM45C)
• $\varnothing 30$ mm (1.2 in.) Endmill (6Z)	Machining rate <b>36 cm<sup>3</sup>/min (2.2 in<sup>3</sup>/min)</b>
	Spindle speed <b>222 r/min</b>
	Feedrate <b>80 mm/min (3.1 ipm)</b>

<b>Face mill</b>	Gray casting (GC25)
• $\varnothing 80$ mm (3.15 in.) Face mill (6Z)	Machining rate <b>691 cm<sup>3</sup>/min (42.2 in<sup>3</sup>/min)</b>
	Spindle speed <b>1500 r/min</b>
	Feedrate <b>3600 mm/min (141.7 ipm)</b>

<b>U-drill</b>	Carbon steel (SM45C)
	Machining rate <b>172 cm<sup>3</sup>/min (10.5 in<sup>3</sup>/min)</b>
	Spindle speed <b>750 r/min</b>
	Feedrate <b>84 mm/min (3.3 ipm)</b>

<b>Face mill</b>	Aluminum (AL6061)
• $\varnothing 80$ mm (3.15 in.) Face mill (6Z)	Machining rate <b>1785 cm<sup>3</sup>/min (109 in<sup>3</sup>/min)</b>
	Spindle speed <b>1500 r/min</b>
	Feedrate <b>5580 mm/min (219.7 ipm)</b>

<b>Tap</b>	Carbon steel (SM45C)
	Machining rate <b>M30 X P3.5</b>
	Spindle speed <b>212 r/min</b>
	Feedrate <b>742 mm/min (29.2 ipm)</b>

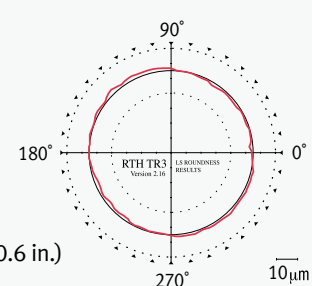
## Machining Accuracy For increased repeatability and reliability

Designed for exceptional high accuracy and minimized thermal displacement and vibration.

### Roundness

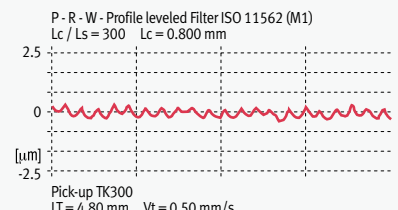
**5.40  $\mu$ m**

- Model : DNM 500
- Material : A7075F
- Tool : Endmill  $\varnothing 16$ mm ( $\varnothing 0.6$  in.) (4 blades)



### Roughness

**Ra 0.12  $\mu$ m**

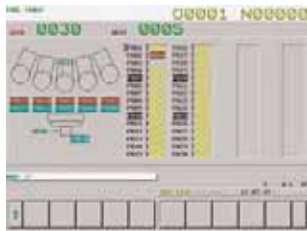


- Spindle speed : 8000 r/min
- Feedrate : 1000 mm/min (39.4 ipm)

• The results indicated in this catalog may not be obtained due to differences in environmental conditions during measurement and cutting conditions.

# Easy Operation Package\*

These DOOSAN software packages have been customized to provide user friendly functions.



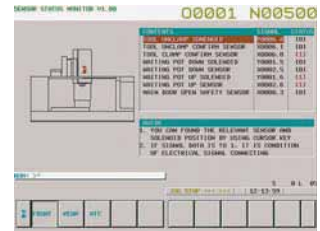
Tool Table



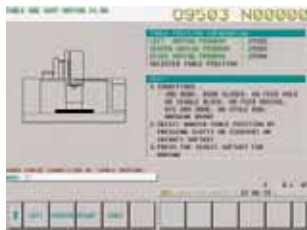
ATC Recovery Help



G-code Help



Sensor Status Monitor



Work-Piece Set up Table Moving



Easy Parameter



M-code Help



Tool Load Monitor opt.

\* : Only available in 10.4" Color TFT LCD

## Operating Panel

### 1. Swivelling Operating Console

The operator control panel is mounted on an adjustable pendant for easy view and accessibility during set-up and operation. The layout and location of the panel is ergonomically designed to be efficient and convenient for the operator.



### 2. ATC operating button is arranged to Main Panel

This can give much easier operation and maintenance for ATC.



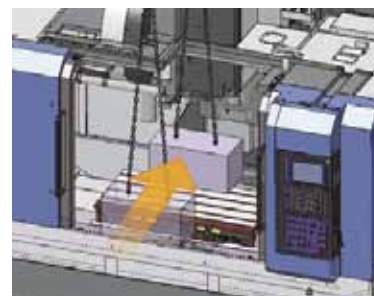
### 3. Portable MPG

Portable MPG makes a workpiece setting easier for the operator.

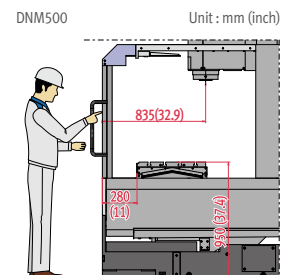


## Top Cover

Top cover can be opened to provide easy access for loading heavy workpieces to the center of the table.



## Easy setup



# High Rigidity

Stable bed and column assemblies are designed for high speed and heavy duty machining.

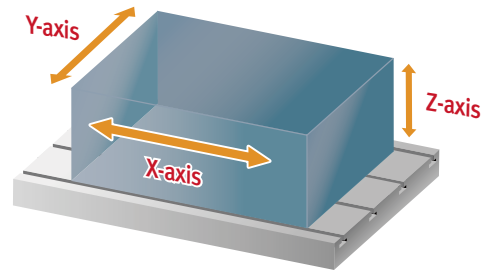
## Compact Structure



\* DNM 650 core machine

## Travel axes

Wide machining range select according to workpiece size



		DNM 400	DNM 500	DNM 650
X-axis	mm (inch)	762 (30.0)	1020 (40.2)	1270 (50.0)
Y-axis	mm (inch)	435 (17.1)	540 (21.3)	670 (26.4)
Z-axis	mm (inch)	510 (20.1)	510 (20.1)	625 (24.6)

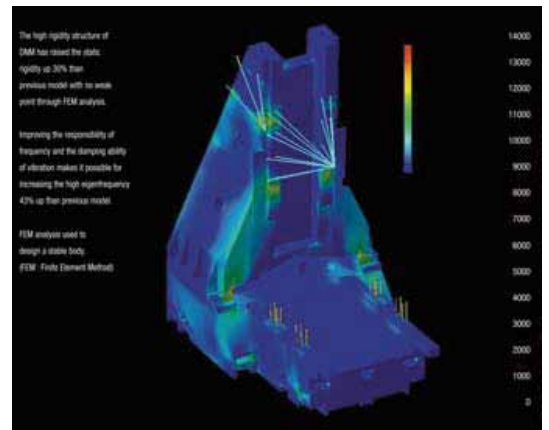
The one piece bed is rigid and heavily ribbed Meehanite. These castings remain stable even under the heaviest cutting conditions. Fine grained Meehanite cast iron is used for its excellent vibration absorbing characteristics. The table is fully supported by the saddle in all positions and there is no table overhang. All axes have highly rigid and precise linear motion guideways.

## Static rigidity

The high rigidity structure of DNM has raised the static rigidity up by 30% more than previous model with no weak point through FEM analysis.

## Dynamic rigidity

Improving the frequency response and the damping ability of vibration makes it possible to increase the high eigenfrequency 35% up on the previous model.



※ FEM analysis used to design a stable body.  
(FEM : Finite Element Method)



# High Speed

High speed spindle of high quality and rigidity helps increase the efficiency and performance of the machine.

## Spindle Head

### Max. spindle speed

DNM 400 / 500 / 650      DNM 400HS / 500HS / 650HS

**8000 r/min**                      **15000 r/min**  
**12000 r/min opt.**              **20000 r/min opt.**



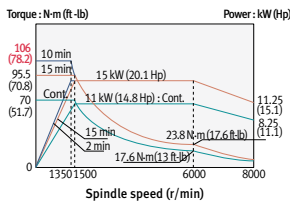
The spindle of DNM HS series is driven by the powerful built-in motor which has 22 kW power and 167 N-m torque.



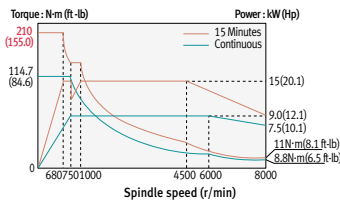
This enables the thermal growth of Y-axis to be reduced by more than 40% of previous model by pulling the air heated by belt out using the FAN with standard function.

### Spindle power-torque diagram

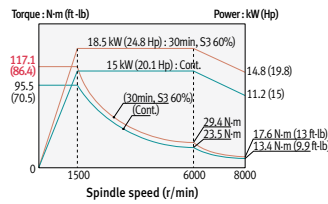
DNM 400 / 500  
8000 r/min : 11/15 kW (14.8/20.1 Hp)



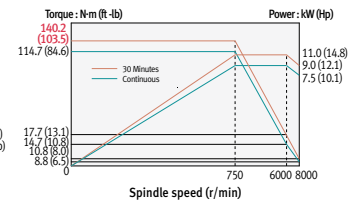
DNM 400 / 500  
8000 r/min : 9/15 kW (12.1/20.1 Hp) **opt.**



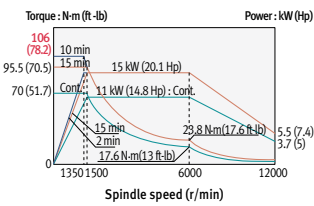
DNM 650  
8000 r/min : 15/18.5 kW (20.1/24.8 Hp)



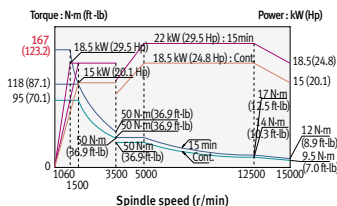
DNM 650  
8000 r/min : 9/11 kW (12.1/14.8 Hp) **opt.**



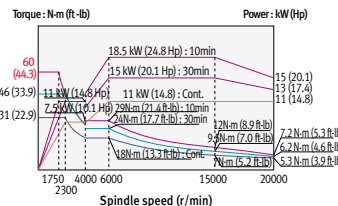
DNM 400 / 500 / 650  
12000 r/min : 11/15 kW (14.8/20.1 Hp) **opt.**



DNM 400HS / 500HS / 650HS  
15000 r/min : 18.5/22 kW (24.8/29.5 Hp)



DNM 400HS / 500HS / 650HS  
20000 r/min : 11/18.5 kW (14.8/24.8 Hp) **opt.**



### 2-Face locking tool system (BIG PLUS) **std.**

The 2-Face locking tool system offers simultaneous dual contact between the machine spindle face and tool holder flange face.



Taper contact                      Flange contact

### Spindle head cooling system

The refrigerated spindle cooling system circulates cooling oil to maintain a constant temperature for high accuracy, regardless of the ambient temperature or cutting conditions.

- DNM HS series **std.**
- DNM series **opt.**

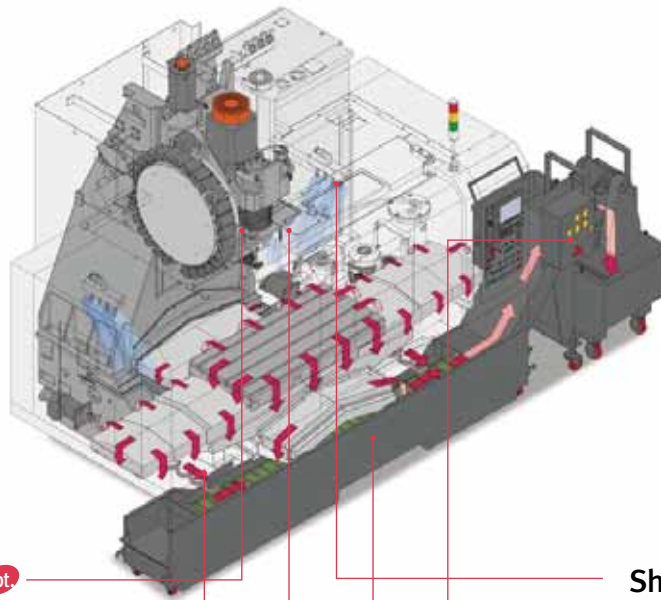


# Chip Disposal

Chip treatment from the viewpoint of productivity improvement and environmental countermeasure is important. DNM series offer a variety of chip control equipment to provide enhanced accuracy and better chip removal capabilities.

## Easy chip removal structure

The completely enclosed DNM series guarantee the confinement of chips and coolant to the inside of the machining area. Chips fall into the removable forward mounted chip pan for easy disposal.



### Through spindle coolant opt.

Middle pressure : 1.96 Mpa (284.2 psi)  
High pressure : 6.86 Mpa (994.7 psi)



### Shower coolant opt.



### Screw conveyor



### Chip conveyor opt.

Hinge type



Scraper type



Drum filter type



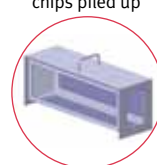
### Flood coolant



### Large capacity coolant tank with chip pan and box filter

Coolant tank capacity DNM 400 : 300L  
DNM 500 : 360L  
DNM 650 : 380L

Easy to discard chips piled up

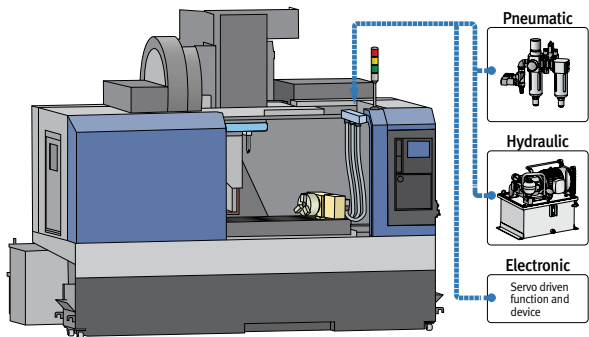


# Optional Equipment

Various options available to meet customers' needs and to provide efficient work and convenience.

## Interface for additional equipment

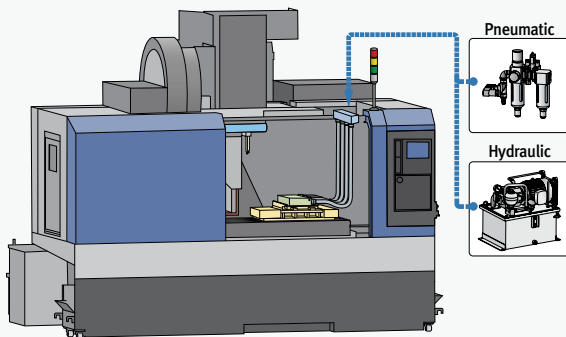
### Connection example of additional 1 axis interface



Recommendable rotary table size : DNM 400/500 :  $\phi$ 250 mm (9.84 inch)  
 DNM 650 :  $\phi$ 320 mm (12.6 inch)

Hydraulic power unit may be additionally necessary according to rotary table specifications.

### Connection example of fixture interface



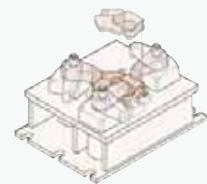
### Fixture check list (for hydraulic / pneumatic fixtures)

- Pressure source
  - Hydraulic  P/T  A/B
  - Pneumatic  P/T  A/B
- Number of ports
  - 1 pair (2-PT 3/8" port)
  - 2 pair (4-PT 3/8" port)
  - 3 pair (6-PT 3/8" port)

- Hydraulic power unit
  - Supply scope :  User  DOOSAN  
 (Please check the below detail specification, if you want Doosan to supply.)

- Use Doosan standard unit  
 24 L/min (6.3 gal/min) /  
 4.9 MPa (711 psi)

- Special requirement  
 \_\_\_\_\_ L / min (gal/min) at \_\_\_\_\_ MPa (psi)

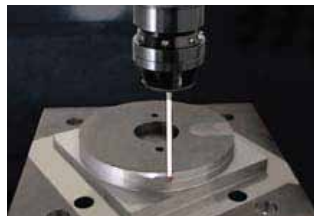


※ Contact Doosan for more information

Automatic tool measurement



Automatic workpiece measurement



Minimum Quantity Lubrication



Misting device

Oil skimmer

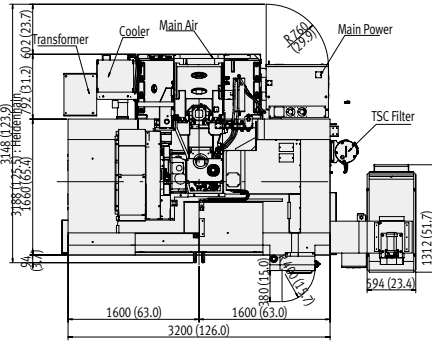




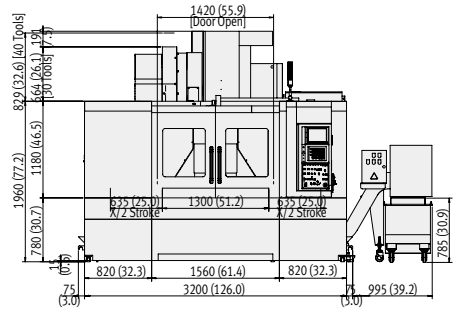
# DNM 650

Unit : mm (inch)

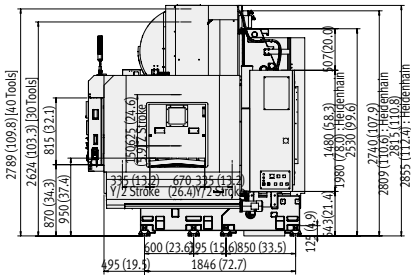
Top View



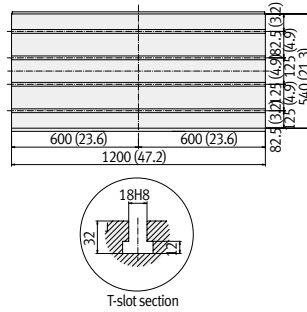
Front View



Side View



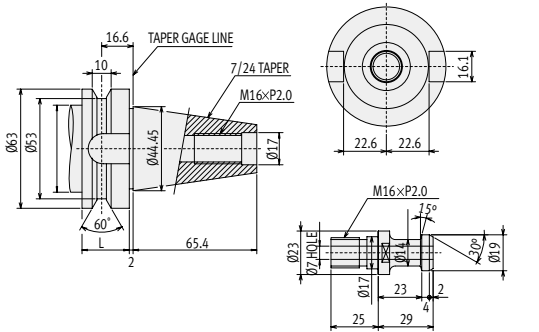
Table



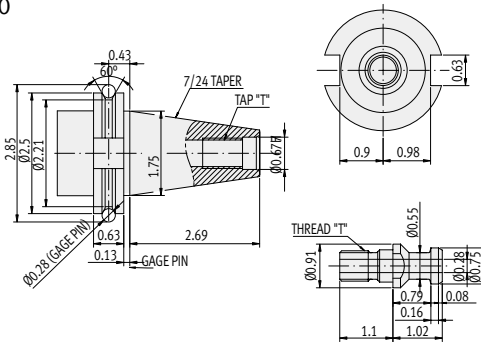
# Tool Shank

Unit : mm (inch)

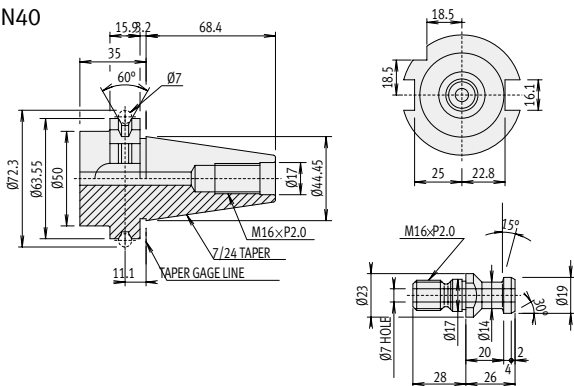
BT40



CAT40



DIN40



# Machine Specifications

Description		Unit	DNM 400	DNM 500	DNM 650	
Travels	Travel distance X-axis	mm(inch)	762 (30.0)	1020 (40.2)	1270 (50.0)	
	Y-axis	mm(inch)	435 (17.1)	540 (21.3)	670 (26.4)	
	Z-axis	mm(inch)	510 (20.1)		625 (24.6)	
	Distance from spindle nose to table top	mm(inch)	150-660 (5.9-30.5)		150-775 (5.9-30.5)	
	Distance from spindle nose to column	mm(inch)	512 (20.2)	587 (23.1)	747 (29.4)	
Feedrates	Rapid Traverse Rate X-axis	m/min(ipm)	36 (1417.3)			
	Y-axis	m/min(ipm)	36 (1417.3)			
	Z-axis	m/min(ipm)	30 (1181.1)			
	Max. Cutting feedrate	mm/min(ipm)	15000 (590.6)			
Table	Table size	mm(inch)	920*435 (36.2*17.1)	1200*540 (47.2*21.3)	1300*670 (51.2*26.4)	
	Table loading capacity	kg(lb)	600 (1322.8)	800 (1763.7)	1000 (2204.6)	
	Table surface type		4-125*18H8		5-125*18H8	
Spindle	Max. Spindle speed	r/min	8000 {8000,12000}		8000 {12000}	
	Spindle taper		ISO #40, 7/24 TAPER			
	Max. Spindle torque	N-m(ft-lbf)	106 {140,106}		117.7 {106}	
Automatic Tool Changer	Type of tool shank		BT40			
	Tool storage capa.	ea	30{40}			
	Max. tool diameter	Continous	mm(inch)	Ø80 {Ø76} {Ø3.1} {Ø3.0}		
		Without Adjacent Tools	mm(inch)	Ø125 {Ø125} {Ø4.9} {Ø4.9}		
	Max. tool length	mm(inch)	300 (11.8)			
	Max. tool weight	kg(lb)	8 (17.6)			
	Tool selection		memory random			
	Tool change time (Tool-to-tool)	s	1.3			
Tool change time (Chip-to-chip)	s	3.7		3.9		
Motors	Spindle motor power	kW(Hp)	15/11 (20.1/14.8)		18.5/15 (24.8/20.1)	
	Coolant pump motor power	kW(Hp)	0.25 (0.3)			
Power source	Electric power supply(rated capacity)	kVA	33.5		42.55	
	Compressed air supply	Mpa(psi)	0.54 (78.3)			
Tank capacity	Coolant tank capacity	L(gal)	300 (79.3)	380 (100.4)		
	Lubrication tank capacity	L(gal)	1.4 (0.4)			
Machine Dimensions	Height	mm(inch)	2703 (106.4)		2815 (110.8)	
	Length	mm(inch)	2092 (82.4)	2284 (89.9)	2572 (101.3)	
	Width	mm(inch)	2615 (103.0)	3350 (131.9)		
	Weight	kg(lb)	5000 (11023.0)	6500 (14329.8)	8500 (18739.0)	

Note : { } are optional.

## Standard Feature

- 10.4" Color TFT LCD
- Assembly & operation tools
- Ball screw nut cooling system (HS series)
- Coolant tank & chip pan
- Door interlock
- Flood coolant system
- Installation parts
- Screw conveyor
- Signal tower (red, yellow, green)
- Portable MPG
- Splash guard
- Work light
- X, Y, Z Absolute pulse coder

## Optional Feature

- 4th axis preparation
  - Automatic power off
  - Automatic tool measurement
  - Automatic workpiece measurement
  - Cam ATC (40 tools)
  - Chip conveyor & chip bucket
  - EZ Guide i
  - MQL (Minimum Quantity Lubrication)
  - Spindle head cooling system\*
  - Oil skimmer
  - Shower coolant
  - Test bar
  - Through spindle coolant
- \* : Standard on 12000 r/min  
15000 r/min  
20000 r/min

- The specifications and information above-mentioned may be changed without prior notice.
- For more details, please contact Doosan

# NC Unit Specifications

## DOOSAN FANUC-i series

AXES CONTROL	
- Controlled axes	3 (X,Y,Z)
- Simultaneously controllable axes	
Positioning (G00) / Linear interpolation (G01) : 3 axes	
Circular interpolation (G02, G03) : 2 axes	
- Backlash compensation	
- Follow up	
- Least command increment	0.001mm (0.0001 inch)
- Least input increment	0.001mm (0.0001 inch)
- Machine lock	all axes / Z axis
- Mirror image	
Reverse axis movement (setting screen and M - function)	
- Stored pitch error compensation	Pitch error offset compensation for each axis
- Stored stroke check 1	Overtravel controlled by software
- Absolute pulse coder	
INTERPOLATION & FEED FUNCTION	
- 2nd reference point return	G30
- Circular interpolation	G02, G03
- Cylindrical interpolation	G07.1
- Dwell	G04
- Exact stop check	G09, G61 (mode)
- Feed per minute	
- Feedrate override (10% increments)	0-200 %
- Helical interpolation	
- Jog override (10% increments)	0-200 %
- Linear interpolation	G01
- Manual handle	(1 unit)
- Manual handle feedrate	x1, x10, x100 (per pulse)
- Override cancel	M48 / M49
- Positioning	G00
- Rapid traverse override	F0 (fine feed), 25 / 50 / 100 %
- Reference point return	G27, G28, G29
- Skip function	G31

SPINDLE & M-CODE FUNCTION	
- M-code function	M3 digits
- Spindle orientation	
- Spindle serial output	
- Spindle speed command	S5 digits
- Spindle speed override	10 - 150 %

## FANUC 32i-A opt

AXES CONTROL	
- Controlled axes	3 (X,Y,Z)
- Simultaneously controllable axes	
Positioning (G00) / Linear interpolation (G01) : 3 axes	
Circular interpolation (G02, G03) : 2 axes	
- Backlash compensation	
- Emergency stop / overtravel	
- Follow up	
- Least command increment	0.001mm (0.0001 inch)
- Least input increment	0.001mm (0.0001 inch)
- Machine lock	all axes / Z axis
- Mirror image	
Reverse axis movement (setting screen and M - function)	
- Stored pitch error compensation	Pitch error offset compensation for each axis
- Stored stroke check 1	Overtravel controlled by software
- Absolute pulse coder	
INTERPOLATION & FEED FUNCTION	
- 2nd reference point return	G30
- Circular interpolation	G02, G03
- Dwell	G04
- Exact stop check	G09, G61 (mode)
- Feed per minute	
- Feedrate override (10% increments)	0-200 %
- Jog override (10% increments)	0-200 %
- Linear interpolation	G01
- Manual handle feed 1 unit	
- Manual handle feedrate	x1, x10, x100 (per pulse)
- Override cancel	M48 / M49
- Positioning	G00
- Rapid traverse override	F0 (fine feed), 25 / 50 / 100 %
- Reference point return	G27, G28, G29
- Skip function	G31
- Helical interpolation	
- DSQ1 (AICC II + Machine condition selection function)	80 block preview
- Thread cutting, synchronous cutting	
- Program restart	
- Automatic corner deceleration (Specify AI Contour control II)	
- Feedrate clamp by circular acceleration (Specify AI Contour control II)	
- Linear ACC / DEC before interpolation (Specify AI Contour control II)	
- Linear ACC / DEC after interpolation	
- Rapid traverse bell-shaped acceleration/deceleration	
- Smooth backlash compensation	

SPINDLE & M-CODE FUNCTION	
- M-code function	M3 digits
- Spindle orientation	
- Spindle serial output	
- Spindle speed command	S5 digits
- Spindle speed override (10% increments)	10 - 150 %
- Spindle output switching	
- Retraction for rigid tapping	
- Rigid tapping	G84, G74

TOOL FUNCTION	
- Cutter compensation C	G40, G41, G42
- Number of tool offsets	400 ea
- Tool length compensation	G43, G44, G49
- Tool life management	128 sets
- Tool number command	T2 digits
- Tool offset memory C	
Geometry / Wear and Length / Radius offset memory	
- Tool position offset	G45 - G48
PROGRAMMING & EDITING FUNCTION	
- Absolute/Incremental programming	G90 / G91
- Auto. Coordinate system setting	
- Background editing	
- Canned cycle	G73, G74, G76, G80 - G89, G99
- Circular interpolation by radius programming	
- Custom macro B	
- Decimal point input	
- Extended part program editing	
- I/O interface	RS - 232C
- Inch/metric conversion	G20 / G21
- Label skip	
- Local / Machine coordinate system	G52 / G53
- Maximum commandable value	±99,999.999 mm
- No. of Registered programs	400ea
- Optional block skip	
- Optional stop	M01
- Part program storage	640m
- Program number	O4 - digits
- Program protect	
- Program stop / end	M00 / M02, M30
- Rigid tapping	G84, G74
- Sub program	Up to 4 nesting
- Tape code	ISO / EIA Automatic discrimination
- Thread cutting	
- Work coordinate system	G54 - G59

OTHERS FUNCTIONS (Operation, setting & Display, etc)	
- 3rd / 4th reference return	
- Additional work coordinate system	G54.1 P1 - 48 (48 pairs)
- AI APC (Advanced Preview Control)	20 block preview
- Alarm display	
- Alarm history display	

TOOL FUNCTION	
- Tool nose radius compensation	G40, G41, G42
- Number of tool offsets	64 ea
- Tool length compensation	G43, G44, G49
- Tool number command	T2 digits
- Tool life management	
Geometry / Wear and Length / Radius offset memory	
- Tool offset memory C	
- Tool length measurement	
PROGRAMMING & EDITING FUNCTION	
- Absolute/Incremental programming	G90 / G91
- Auto. Coordinate system setting	
- Background editing	
- Canned cycle	G73, G74, G76, G80 - G89, G99
- Circular interpolation by radius programming	
- Custom macro B	
- Custom size 512Kb	
- Decimal point input	
- I/O interface	RS - 232C
- Inch/metric conversion	G20 / G21
- Label skip	
- Local / Machine coordinate system	G52 / G53
- Maximum commandable value	±99999.999 mm (±9999.9999 inch)
- No. of Registered programs	500ea
- Optional stop	M01
- Part program storage	640 m (2,100 ft) [256 kB] m
- Program number	O4 - digits
- Program protect	
- Program stop / end	M00 / M02, M30
- Programmable data input	
Tool offset and work offset are entered by G10, G11	
- Sub program	Up to 4 nesting
- Tape code	ISO / EIA Automatic discrimination
- Work coordinate system	G54 - G59
- Additional work coordinate system (48 Pair)	G54.1 P1 - 48 pairs
- Coordinate system rotation	G68, G69
- Extended part program editing	
- Optional angle chamfering / corner R	
- Macro executor	

OTHERS FUNCTIONS (Operation, setting & Display, etc)	
- Alarm display	
- Alarm history display	
- Clock function	
- Cycle start / Feed hold	
- Control axis detach	
- Display of PMC alarm message	Message display when PMC alarm occurred
- Dry run	
- Ethernet function (Embedded)	
- Graphic display	Tool path drawing
- Help function	
- Loadmeter display	

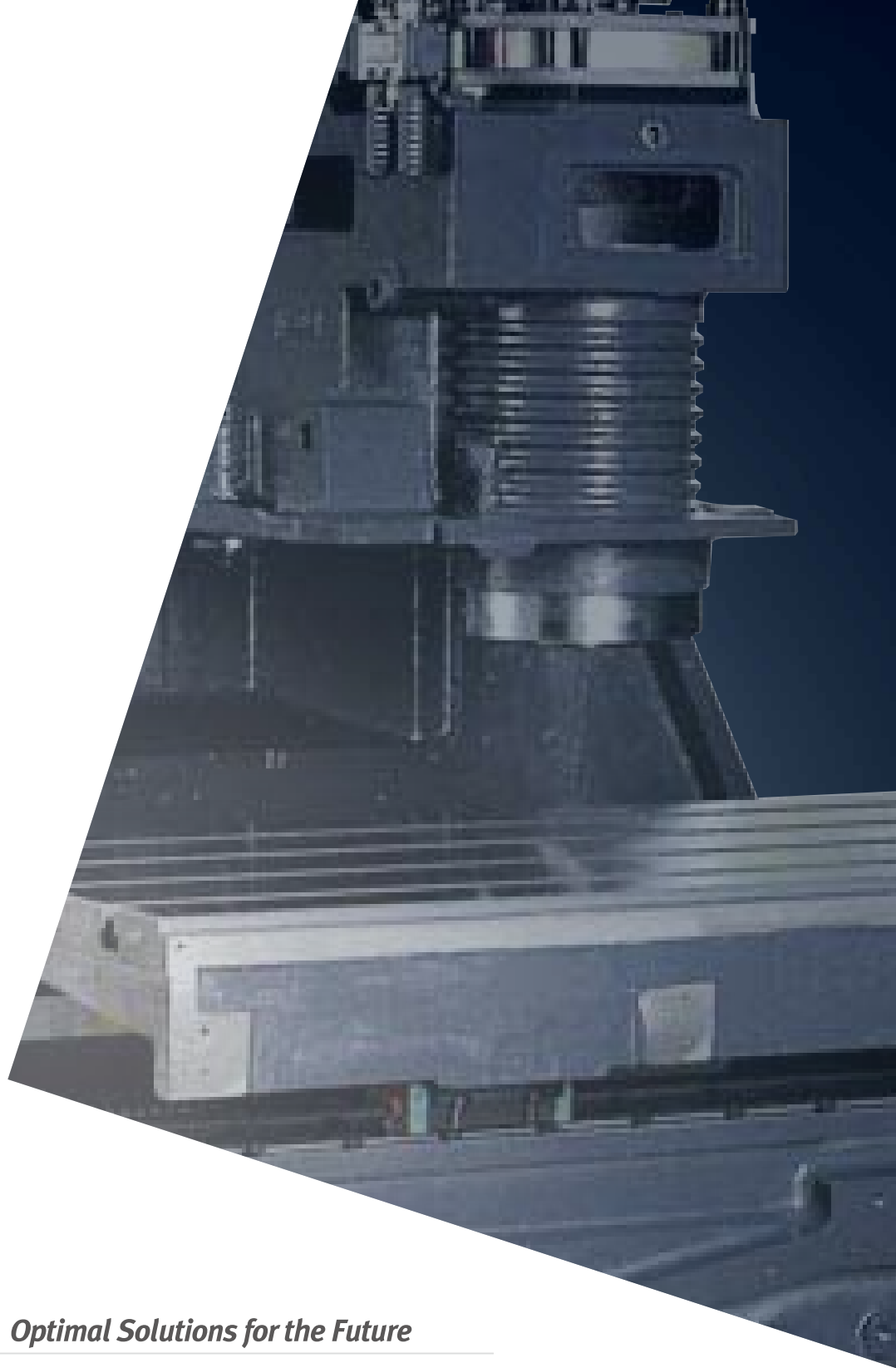
- Automatic corner override	G62
- Clock function	
- Coordinate rotation	G68, G69
- Cycle start / Feed hold	
- Control axis detach	
- Display of PMC alarm message	Message display when PMC alarm occurred
- Dry run	
- Graphic display	Tool path drawing
- Help function	
- High speed skip function	
- Loadmeter display	
- Look ahead control	G08
- MDI / DISPLAY unit	
10.4" Color TFT LCD, keyboard for data input (small), soft-keys	
- Memory card interface	Tape / Memory / MDI / Manual
- Operation functions	
- Operation history display	
- Optional angle chamfering / corner R	
- Polar coordinate command	G15 / G16
- Program restart	
- Programmable data input	
Tool offset and work offset are entered by G10, G11	
- Programmable mirror image	G50.1 / G51.1
- Run hour and part number display	
- Scaling	G50, G51
- Search function	Sequence NO. / Program NO.
- Self - diagnostic function	
- Servo setting screen	
- Single block	
- Single direction positioning	G60
- Stored stroke check 2	

OPTIONAL SPECIFICATIONS	
- Additional controlled axes	4 axes in total
- AICC (AI Contour Control) with Hardware	40 block preview
- Data server	1024 pairs
- Dynamic graphic display (w/10.4" Color TFT LCD)	
Machining profile drawing	
- Ethernet function	
- Remote buffer	
- EZ Guide i	
(Doosan Conversational Programming Solution) with 10.4" Color TFT LCD	
- Tool load monitoring function (doosan)	

- MDI / DISPLAY unit	
10.4" Color TFT LCD, keyboard for data input (small), soft-keys	
- Memory card interface	Tape / Memory / MDI / Manual
- Operation functions	
- Operation history display	
- Program restart	
- Run hour and part number display	G15 / G16
- Search function	Sequence NO. / Program NO.
- Self - diagnostic function	
- Servo setting screen	
- Single block	
- External data input	
- Multi language display	
- Stored stroke check 2	

OPTIONAL SPECIFICATIONS	
- 3-dimensional coordinate conversion	
- 3-dimensional tool compensation	
- 3rd / 4th reference return	
- Addition of tool pairs for tool life management	1024 pairs
- Additional controlled axes	Max. 5 axes in total
- Additional work coordinate system	G54.1 P1 - 300 (300 pairs)
- DSQ 2	80 block preview
(AICC II + Machine condition selection function + Data server + 1GB)	
- Automatic corner override	G62
- Chopping function	G81.1
- Cylindrical interpolation	G07.1
- Dynamic graphic display	Machining profile drawing
- Exponential interpolation	
- Interpolation type pitch error compensation	
- EZ Guide i (Doosan Infracore Conversational Programming Solution)	
- Tape format for FS15	
- Increment system 1 / 10	
- Figure copying	G72.1, G72.2
- Handle interruption	
- High speed skip function	
- Involute interpolation	G02.2, G03.2
- Machining time stamp function	
- No. of Registered programs	1000 ea
- Number of tool offsets	99 / 200 / 400 pairs
- Optional block skip addition	9 blocks
- Part program storage	512K / 1M / 2M byte
- Playback function	
- Polar coordinate command	G15 / G16
- Polar coordinate interpolation	G12.1 / G13.1
- Programmable mirror image	G50.1 / G51.1
- Single direction positioning	G60
- Tool load monitoring function (Doosan)	
- Tool position offset	G45 - G48
- Position switch	

\*) Pre discussion required



## *Optimal Solutions for the Future*

<http://www.doosaninfracore.com/machinetools/>

### **Doosan Infracore** Machine Tools

#### **Head Office**

Doosan Tower 20th FL., 18-12, Euljiro-6Ga, Jung-Gu, Seoul, Korea 100-730  
Tel: ++82-2-3398-8693 / 8671 / 8680 Fax: ++82-2-3398-8699

#### **Doosan Infracore America Corp.**

19A Chapin Rd. Pine Brook, NJ 07058, U.S.A.  
Tel: ++1-973-618-2500 Fax: ++1-973-618-2501

#### **Doosan Infracore Germany GmbH**

Emdener Strasse 24 D-41540 Dormagen Germany  
Tel: ++49-2133-5067-100 Fax: ++49-2133-5067-001

#### **Doosan Infracore Yantai Co., LTD**

13 Building, 140 Tianlin Road, Xuhui District, Shanghai, China (200233)  
Tel: ++86-21-6440-3384 (808, 805) Fax: ++86-21-6440-3389

