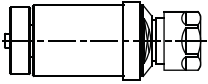

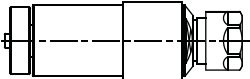

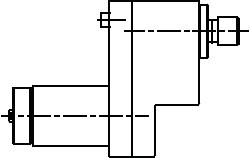

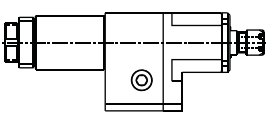

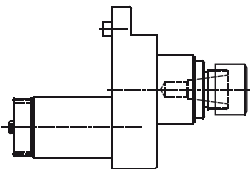

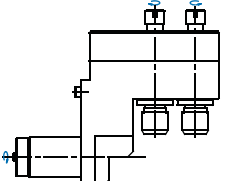

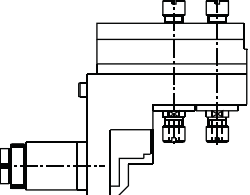



STAR ECAS 12/20 Ø34 ^{GANG} _{TOOLING}

Higher precision : 0,003 mm runout

SR 16 RII SR 20R-RII-RIII / SR 32J SV 12/20/32 SV 32J-JII

Star ref					
ST.000.34	331-50	AXIAL		ER-16 RATIO 1:1 6.000 RPM MAX.	
ST.000.34L	571-55	AXIAL LONG		ER-16 RATIO 1:1 6.000 RPM MAX.	
ST.001.34		AXIAL OFFSET		ER-11 RATIO 1:1 6.000 RPM MAX.	
ST.002.34		AXIAL SPEEDER		ER-11 RATIO 1:3 15.000 RPM MAX.	
ST.003.34		AXIAL OFFSET REDUCER		ER-16 RATIO 2:1 6.000 RPM MAX.	
ST.008.34C	421-59	RADIAL 4 SPINDLES		ER-11/ER-16 RATIO 1:1 6.000 RPM MAX.	
ST.008.34D	661-59	RADIAL 4 SPINDLES		ER-11 RATIO 1:1 6.000 RPM MAX.	

Tooling for : BENZINGER - CITIZEN - DMG - ESCOMATIC - HANWHA - MAIER - MANURHIN - NEXTURN - PFIFFNER - STAR - TSUGAMI - WITECH - ETC.

MADAULA GROUP
Chicago - São Paulo
Barcelona - Bologna - Waghäusel

hello@madaula.com

Specials : welcome



STAR ECAS 12/20 Ø34 GANG TOOLING

Higher precision : 0,003 mm runout

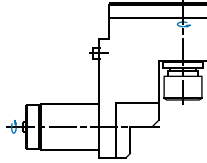
SR 16 RII SR 20R-RII-RIII / SR 32J SV 12/20/32 SV 32J-JII

Star ref

ST.011.34

581-52

**RADIAL
SET-BACK**

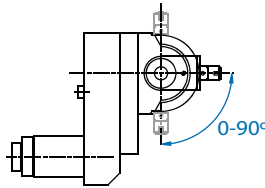


ER-16
RATIO 1:1
6.000 RPM MAX.



ST.021.34

**RADIAL
ADJUSTABLE**

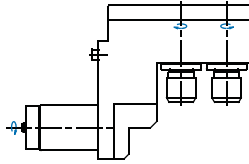


ER-8
RATIO 1:3
24.000 RPM MAX.



ST.029.34A
(ONLY SR 32)

**RADIAL
2 SPINDLES**



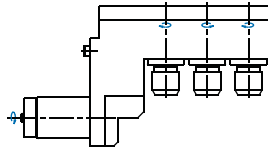
ER-16
RATIO 1:1
6.000 RPM MAX.



ST.029.34B
(ONLY SR 32)

661-51

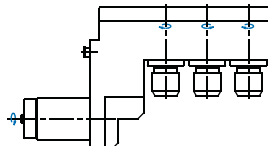
**RADIAL
3 SPINDLES**



ER-16
RATIO 1:1
6.000 RPM MAX.

ST.029.34C
(ONLY SR 20)

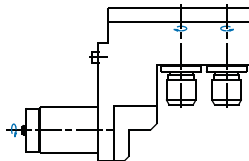
**RADIAL
3 SPINDLES**



ER-16
RATIO 1:1
6.000 RPM MAX.

ST.029.34S

**RADIAL
2 SPINDLES
SPEEDER**



ER-16
RATIO 1:2
8.000 RPM MAX.



Tooling for : BENZINGER - CITIZEN - DMG - ESCOMATIC - HANWHA - MAIER - MANURHIN - NEXTURN - PFIFFNER - STAR - TSUGAMI - WITECH - ETC.

MADAULA GROUP

Chicago - São Paulo

Barcelona - Bologna - Waghäusel

hello@madaula.com

Specials : welcome



STAR ECAS 12/20 Ø34 GANG TOOLING

Higher precision : 0,003 mm runout

SR 16 RII SR 20R-RII-RIII SR 32J SV 12/20/32 SV 32J-JII

Star ref	Model	Function	Diagram	Specifications	Image
ST.030.34		SAW-MILL		RATIO 1:1 6.000 RPM MAX.	
ST.030.34D	541-54	AXIAL SAW-MILL DOUBLE		RATIO 2.67:1 2.800 RPM MAX.	
ST.034.34	541-91	POLYGON MAKER		RATIO 1:1 6.000 RPM MAX. (Optional RATIO 2:1)	
ST.035.34	541-78	THREAD WHIRLING ± 12.5°		CUTTING HEAD RATIO 1.3:1 6.000 RPM MAX.	
ST.035.34/15		THREAD WHIRLING ± 15°		CUTTING HEAD RATIO 1:1 6.000 RPM MAX.	
ST.051.34A		RADIAL DOUBLE OUTPUT SWIVELING		ER-16 RATIO 1:1 6.000 RPM MAX.	
ST.051.34B		RADIAL 6 SPINDLE SWIVELING		ER-11 RATIO 1:1 8.000 RPM MAX.	

Tooling for : BENZINGER - CITIZEN - DMG - ESCOMATIC - HANWHA - MAIER - MANURHIN - NEXTURN - PFIFFNER - STAR - TSUGAMI - WITECH - ETC.

MADAULA GROUP
Chicago - São Paulo
Barcelona - Bologna - Waghäusel

hello@madaula.com

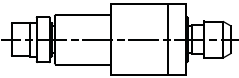
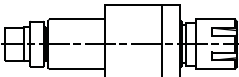
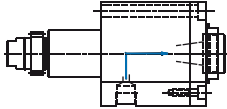
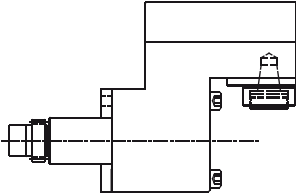
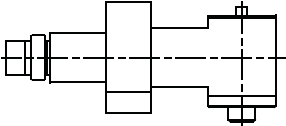
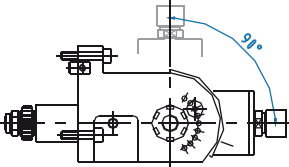
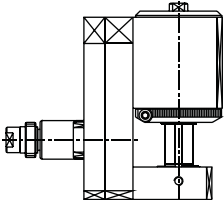
Specials : welcome



STAR ECAS 12/20 Ø22 GANG TOOLING

Higher precision : 0,003 mm runout

SR 16 RII SR 20R-RII-RIII SR 32J

	Star ref			
ST.000.22A	541-61	AXIAL		ER-11 RATIO 1:1 6.000 RPM MAX.
ST.000.22B	571-61	AXIAL		ER-16 RATIO 1:1 6.000 RPM MAX.
ST.005.22		AXIAL WITH COOLANT THROUGH		ER-11 RATIO 1:1 6.000 RPM MAX.
ST.011.22		RADIAL SET-BACK		ER-11 RATIO 1:1 6.000 RPM MAX.
ST.014.22		RADIAL REDUCER		ER-8 RATIO 1.3:1 4.500 RPM MAX.
ST.021.22		RADIAL ADJUSTABLE		ER-11 RATIO 1:1 6.000 RPM MAX.
ST.030.22		SAW-MILL		Ø 13 / Ø 16 RATIO 2.18:1 2.700 RPM MAX.



Tooling for : BENZINGER - CITIZEN - DMG - ESCOMATIC - HANWHA - MAIER - MANURHIN - NEXTURN - PFIFFNER - STAR - TSUGAMI - WITECH - ETC.

MADAULA GROUP
Chicago - São Paulo
Barcelona - Bologna - Waghäusel

hello@madaula.com

Specials : welcome



STAR SV 12/20/32J TURRET TOOLING

KNC 16/20

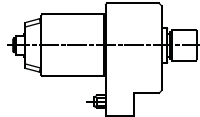
Higher precision : 0,003 mm runout

Star ref

ST.000.20A

221-50

AXIAL

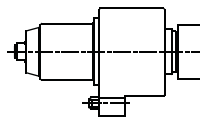


ER-16
RATIO 1:1
6.000 RPM MAX.



ST.000.20B

AXIAL

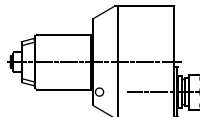


ER-25
RATIO 1:1
4.000 RPM MAX.
(COOLANT THROUGH)
OPTIONAL



ST.006.20

**AXIAL
OFFSET**

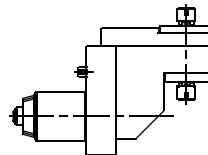


ER-16
RATIO 1:1
4.000 RPM MAX.
(COOLANT THROUGH)
OPTIONAL

ST.008.20A

431-55

**RADIAL
2 SPINDLES**

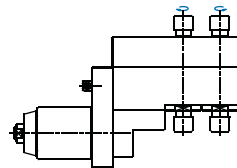


ER-11
RATIO 1:1
6.000 RPM MAX.



ST.008.20B

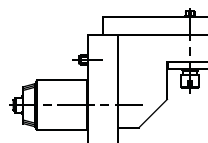
**RADIAL
4 SPINDLES**



ER-11
RATIO 1:1
6.000 RPM MAX.

ST.011.20

**RADIAL
SET-BACK**



ER-11
RATIO 1:1
6.000 RPM MAX.



Tooling for : BENZINGER - CITIZEN - DMG - ESCOMATIC - HANWHA - MAIER - MANURHIN - NEXTURN - PFIFFNER - STAR - TSUGAMI - WITECH - ETC.

MADAULA GROUP

Chicago - São Paulo

Barcelona - Bologna - Waghäusel

hello@madaula.com

Specials : welcome



STAR SV 12/20/32J TURRET TOOLING

KNC 16/20

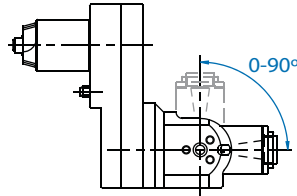
Higher precision : 0,003 mm runout

Star ref

ST.021.20

221-61

**RADIAL
ADJUSTABLE**



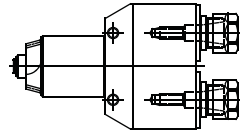
ER-16
RATIO 1:1
6.000 RPM MAX.



ST.023.20A

421-51

**AXIAL
DOUBLE
OUTPUT**

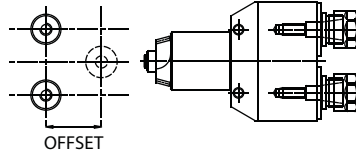


ER-16
RATIO 1:1
6.000 RPM MAX.
(COOLANT THROUGH)
OPTIONAL



ST.023.20B

**AXIAL
DOUBLE
OUTPUT
OFFSET**



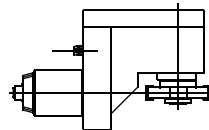
ER-16
RATIO 1:1.8
6.000 RPM MAX.
(COOLANT THROUGH)
OPTIONAL



ST.034.20

541-91

**POLYGON
MAKER**

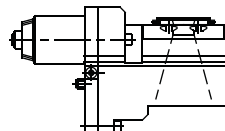


Ø 16
RATIO 1:1
6.000 RPM MAX.



ST.035.20

**THREAD
WHIRLING ± 15°**



CUTTING HEAD
RATIO 1.5:1
6.000 RPM MAX.

Tooling for : BENZINGER - CITIZEN - DMG - ESCOMATIC - HANWHA - MAIER - MANURHIN - NEXTURN - PFIFFNER - STAR - TSUGAMI - WITECH - ETC.

MADAULA GROUP
Chicago - São Paulo
Barcelona - Bologna - Waghäusel

hello@madaula.com

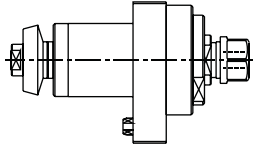

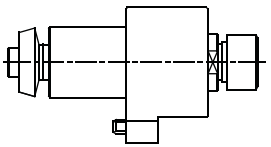
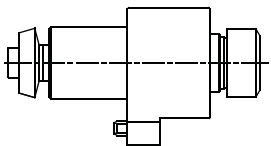

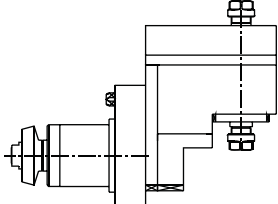

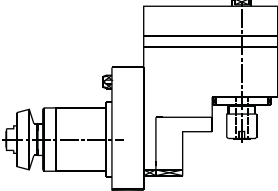

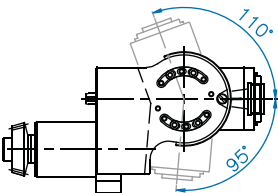
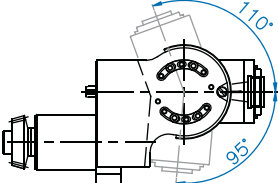

Specials : welcome



STAR ECAS 20T/32T TURRET TOOLING

KNC 32 - SV 32

Higher precision : 0,003 mm runout

	Star ref				
ST.000.32A	201-50	AXIAL		ER-16 RATIO 1:1 6.000 RPM MAX.	
ST.000.32B	581-51	AXIAL		ER-20 RATIO 1:1 6.000 RPM MAX.	
ST.000.32C		AXIAL		ER-25 RATIO 1:1 4.000 RPM MAX. (COOLANT THROUGH) OPTIONAL	
ST.008.32	201-56	RADIAL DOUBLE OUTPUT		ER-11 RATIO 1:1 5.700 RPM MAX.	
ST.011.32	201-52	RADIAL SET-BACK		ER-16 RATIO 1:1 5.700 RPM MAX.	
ST.021.32A		RADIAL ADJUSTABLE		ER-16 RATIO 1:1 8.000 RPM MAX.	
ST.021.32B		RADIAL ADJUSTABLE		ER-20 RATIO 1:1 8.000 RPM MAX.	

Tooling for : BENZINGER - CITIZEN - DMG - ESCOMATIC - HANWHA - MAIER - MANURHIN - NEXTURN - PFIFFNER - STAR - TSUGAMI - WITECH - ETC.

MADAULA GROUP
Chicago - São Paulo
Barcelona - Bologna - Waghäusel

hello@madaula.com

Specials : welcome



STAR ECAS 20T/32T TURRET TOOLING

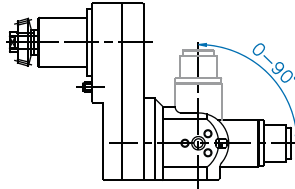
KNC 32 - SV 32

Higher precision : 0,003 mm runout

Star ref

ST.021.32C

**RADIAL
ADJUSTABLE**



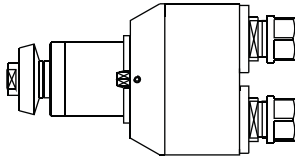
ER-20
RATIO 1:1
6.000 RPM MAX.



ST.023.32

431-51

**AXIAL
DOUBLE
OUTPUT**

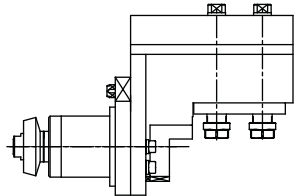


ER-16
RATIO 1:1
6.000 RPM MAX.

ST.029.32

581-55

**RADIAL
DOUBLE
OUTPUT
ADJUSTABLE**



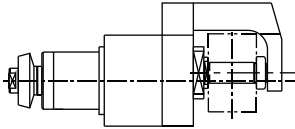
ER-11
RATIO 1:2
6.000 RPM MAX.



ST.030.32

431-54

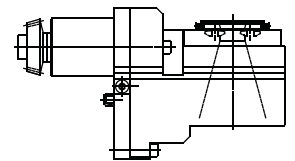
SAW-MILL



RATIO 1:0.298
2.000 RPM MAX.

ST.035.32

**THREAD
WHIRLING ± 15°**



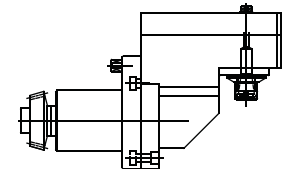
CUTTING HEAD
RATIO 1.5:1
6.000 RPM MAX.



ST.051.32A

421-55

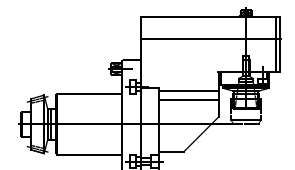
**RADIAL
SWIVELING
± 90°**



ER-11
RATIO 1:1
6.000 RPM MAX.

ST.051.32B

**RADIAL
SWIVELING
± 90°**



ER-16
RATIO 1:1
6.000 RPM MAX.



Tooling for : BENZINGER - CITIZEN - DMG - ESCOMATIC - HANWHA - MAIER - MANURHIN - NEXTURN - PFIFFNER - STAR - TSUGAMI - WITECH - ETC.

MADAULA GROUP

Chicago - São Paulo

Barcelona - Bologna - Waghäusel

hello@madaula.com

Specials : welcome



Management System
ISO 9001:2008

www.tuv.com
ID 9105079298